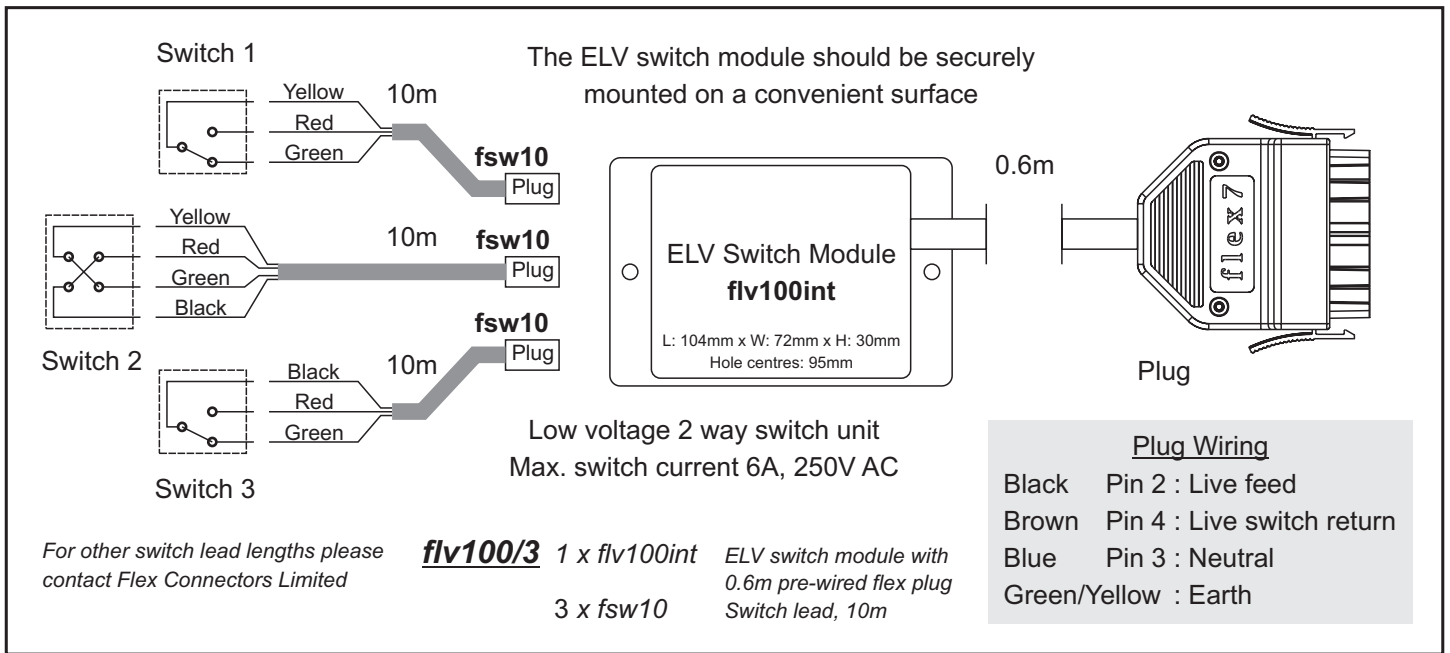
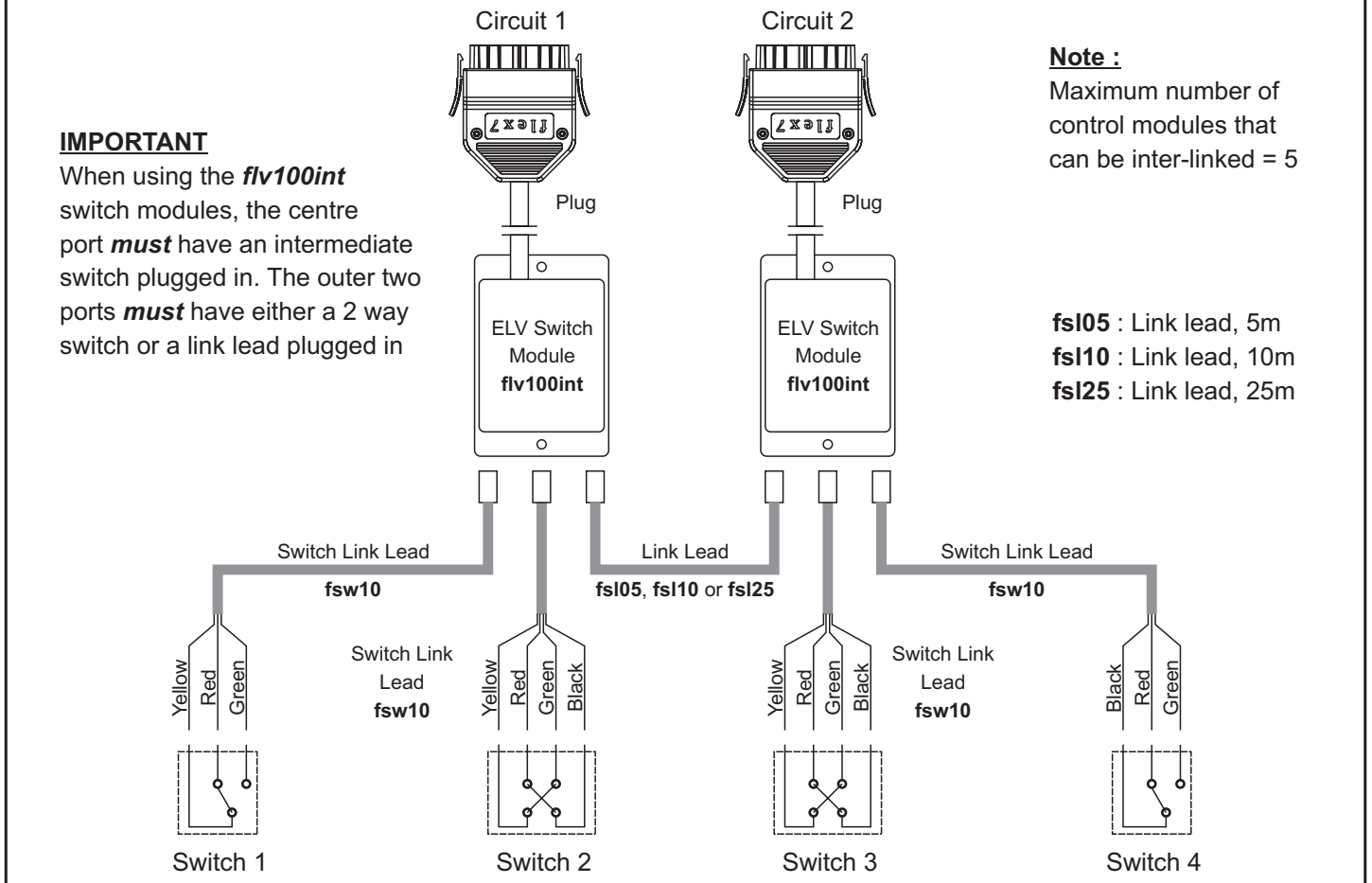


Wiring Information : Low Voltage Switch Unit

2 Way plus Intermediate (flv100/3)



Where more than 1 intermediate switch is required, more than 6A switching capacity is required, when switching across phases / circuits or where circuits are spaced over long distances, control modules can be grouped together using link cables

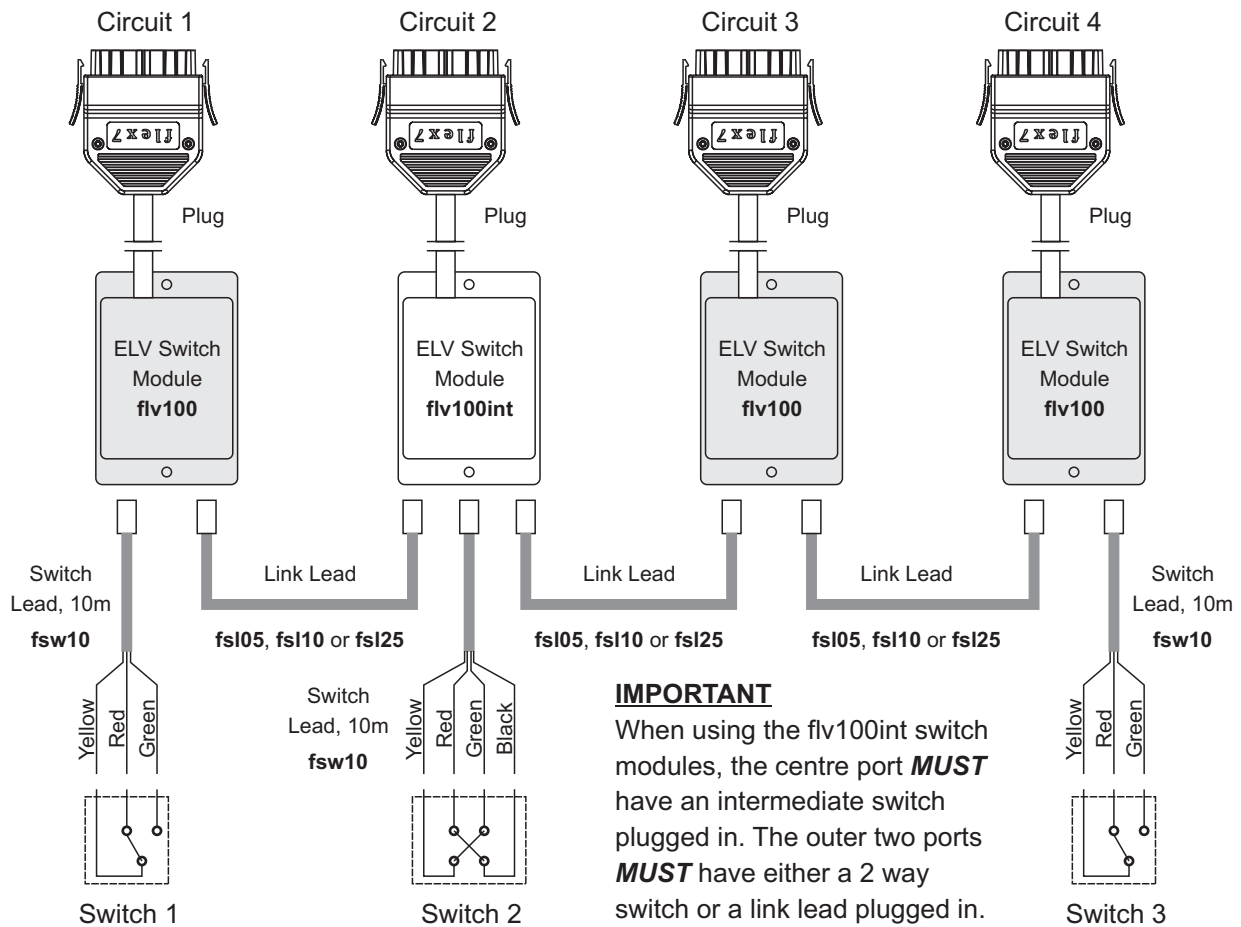


As part of our commitment to continuous improvement, product specification may change without notice.

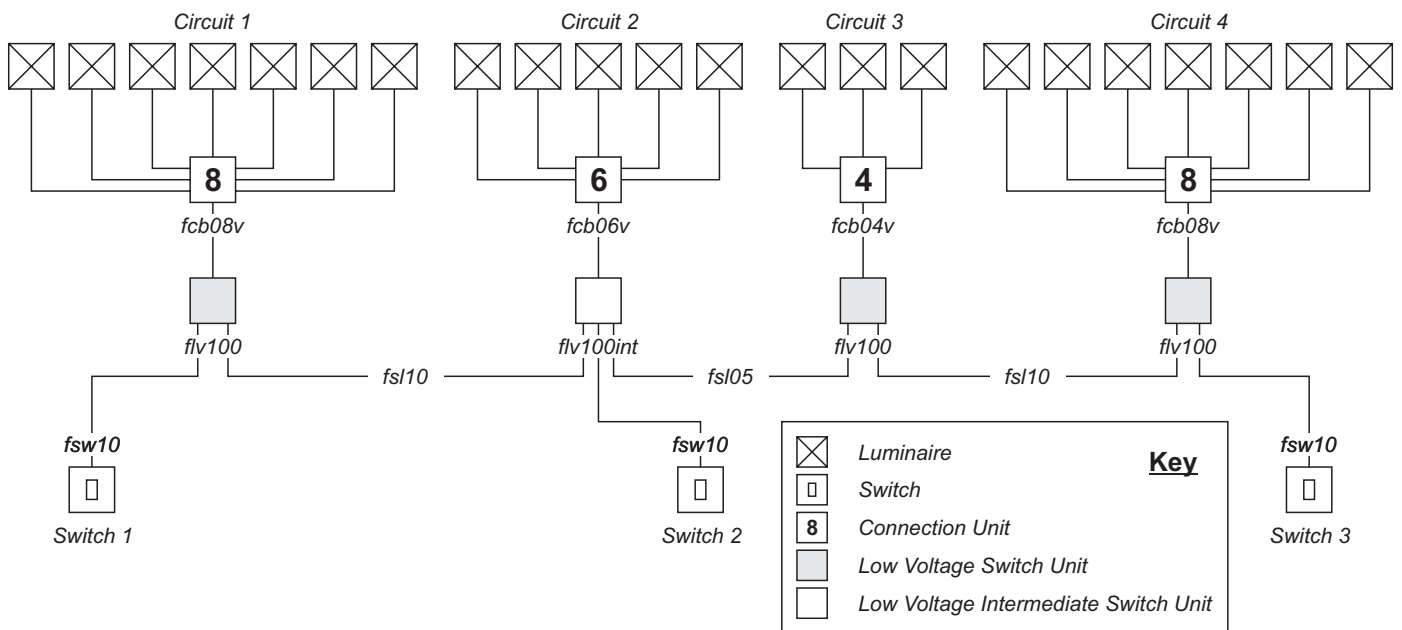
This product should only be installed by a qualified electrician

**Further example using flv100 (2 way switch module - see datasheet)
in conjunction with the flv100int to extend the number of switched
circuits without necessarily increasing the number of switches.**

In the following example, all the luminaires, on whichever circuit, will be controlled by any one of the switches plugged into any low voltage switch module unit (flv100 or flv100int).



Schematic



As part of our commitment to continuous improvement, product specification may change without notice.

This product should only be installed by a qualified electrician