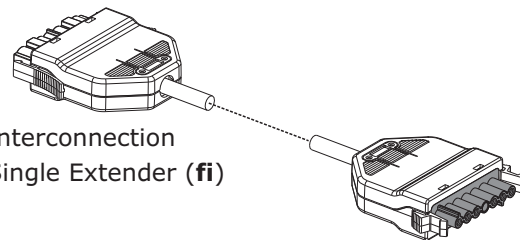
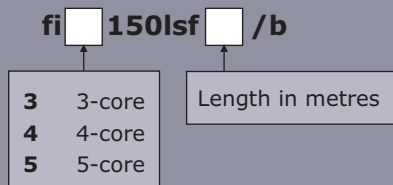


Key features

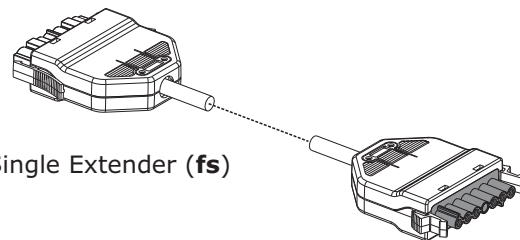
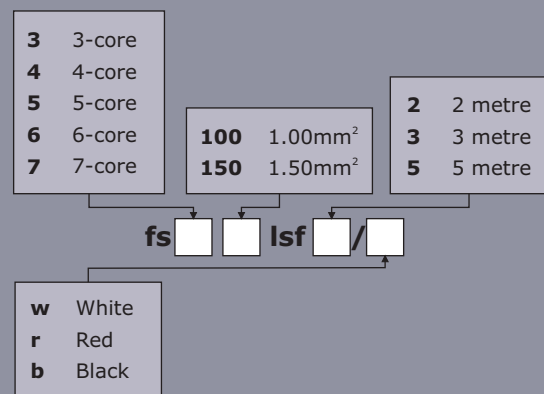
- Single, twin and flexible twin extender leads are available, all rated at 16 amps, 230V, ~ .
- Single extender leads are pre-wired with 1.00mm² or 1.50mm² flexible cable, available in 3, 4, 5, 6 and 7-core and in 2m, 3m and 5m lengths.
- Twin and flexible twin extender leads are pre-wired with 1.50mm² flexible cable, available in 3, 4, 5, 6 and 7-core and in 2m, 3m and 5m lengths.
- Strong latches on plug/socket extender leads, ensures secure connection.
- Cables are secured in a positive, double screwed, sheath grip.
- Other lengths, metal or plastic flexible conduit and Flexishield™ leads are available to special order.

Ordering flex 7 interconnection single extender leads

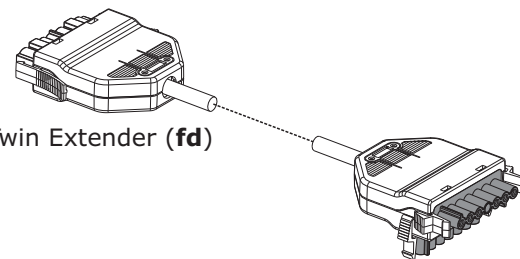


Interconnection Single Extender (**fi**)

Ordering flex 7 single extender leads

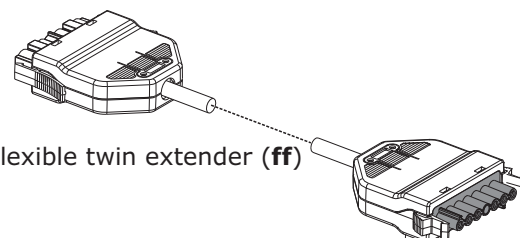
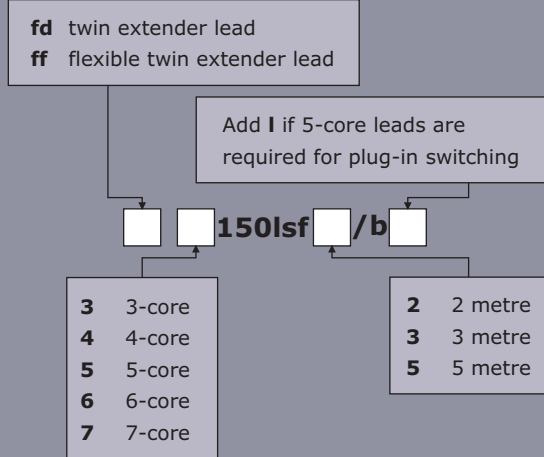


Single Extender (**fs**)



Twin Extender (**fd**)

Ordering flex 7 twin extender leads

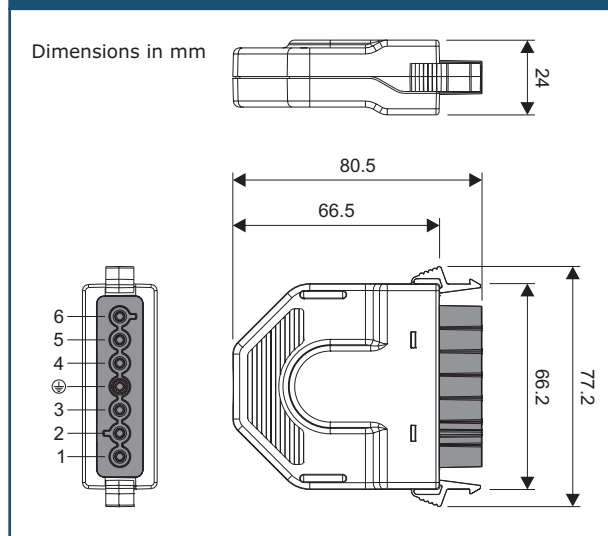


Flexible twin extender (**ff**)

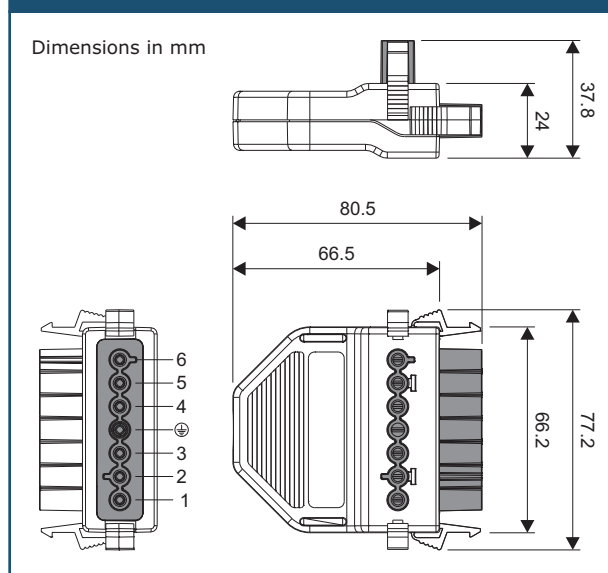
Other lengths, metal or plastic flexible conduit and Flexishield™ leads are available to special order.

Technical information

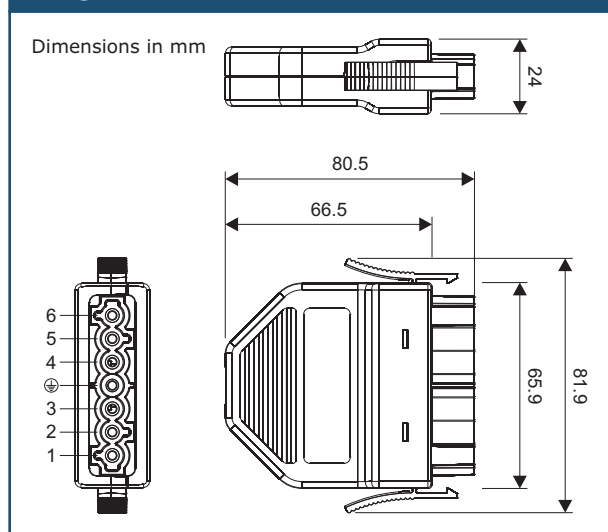
Single socket dimensions



Twin socket dimensions



Plug dimensions



Wiring information (table shows plug end)

Standard Extender Lead Wiring (Applies to types: fs-- , fd-- , ff--)		Number of cores in lead					
		3	4	5	6	7	
+10V	Orange	Pin 6	○	○	○	○	○
-0V	White	Pin 5	○	○	○	○	○
Ls	Brown	Pin 4	○	○	○	○	○
⊕	Green / Yellow	Pin 4	●	●	●	●	●
N	Blue	Pin 3	○	○	○	○	○
LEM	Black	Pin 2	○	○	○	○	○
LAUX	Grey	Pin 1	○	○	○	○	○

Interconnection Extender Lead Wiring (Applies to type: fi-- , fd--/bl , ff--/bl)		Number of cores in lead					
		3	4	5	6	7	
+10V	Orange	Pin 6	○	○	○	○	○
-0V	White	Pin 5	○	○	○	○	○
Ls	Brown	Pin 4	○	○	○	○	○
⊕	Green / Yellow	Pin 4	●	●	●	●	●
N	Blue	Pin 3	○	○	○	○	○
LEM	Black	Pin 2	○	○	○	○	○
LAUX	Grey	Pin 1	○	○	○	○	○

Extender range

