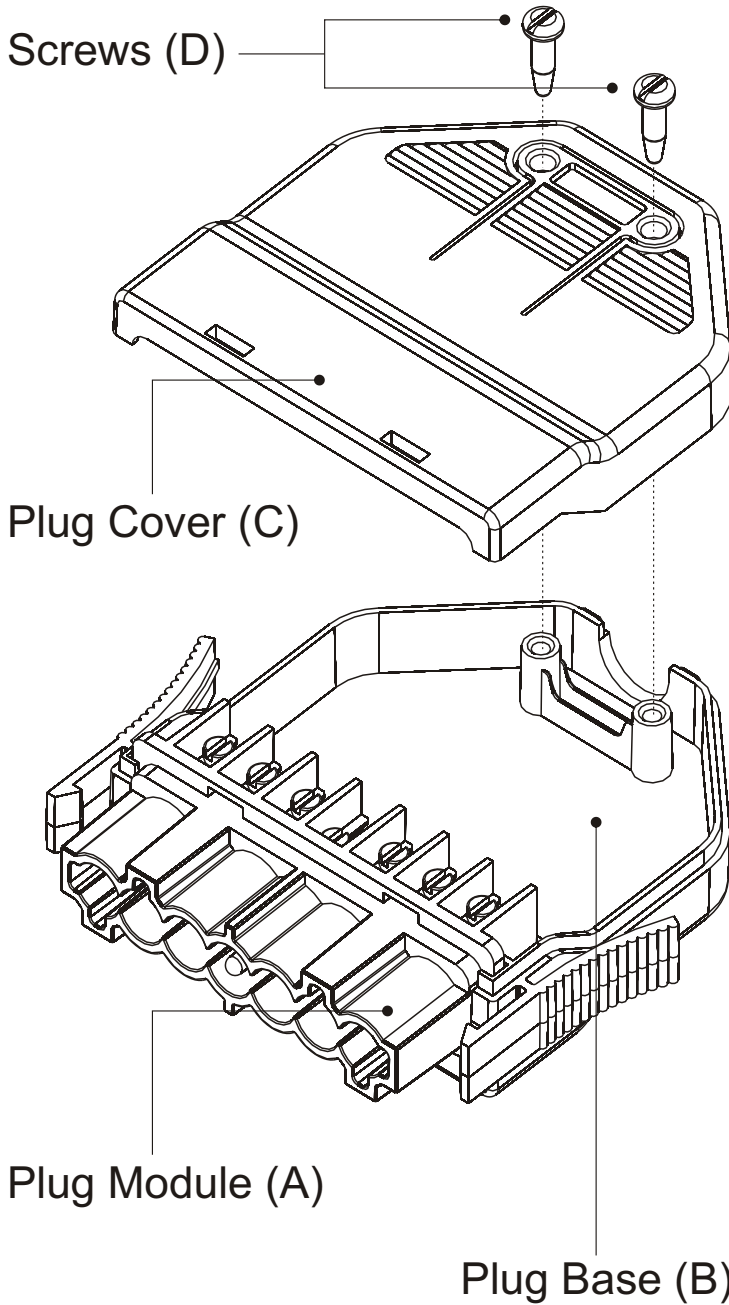


Wiring a flex 7 plug



- Un-snap plug cover (C).
- Terminate wires to plug module (A). Refer to Table E or other special wiring instructions provided.
- Snap close plug cover (C) and secure sheath grip screws (D) to plug base (B).

Flex 7 plugs are available in 3, 4 and 7-pin versions, red, white and black. Grey plugs are reserved for switching.

Whilst we always endeavour to supply the core colours shown, on occasion we may need to supply an alternative.

Table E: Standard Plug Pin Designation for Various Applications		Number of Cores in Plug				
		3	4	5	6	7
+10V	Orange			●	●	●
-0V	White			●	●	●
Ls	Brown	●	●	●	●	●
⊕	Green / Yellow	●	●	●	●	●
N	Blue	●	●	●	●	●
LEm	Black	○	●	○	●	●
LX	Grey	○	○	○	○	●