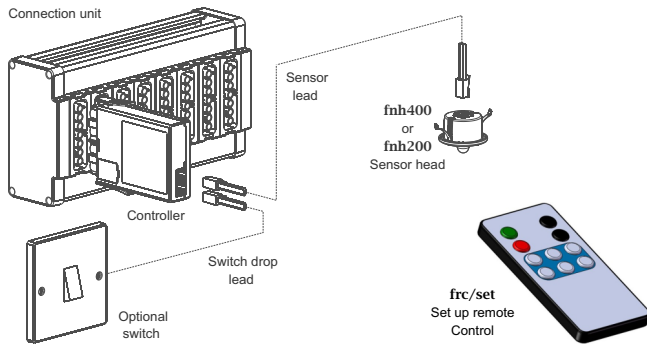


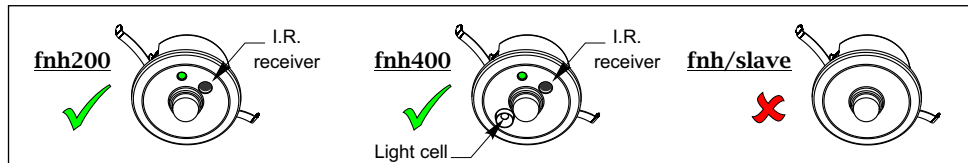
## frc/user Remote Control

U



The **frc/user** remote control is a convenient method for the user to control the lighting remotely. Lights can be temporarily overridden ON or OFF and in cases where the lighting control is dimmable, dimmed UP or DOWN. In addition up to six preset light levels can be stored and recalled.

### Using the frc/user remote control



The **frc/user** only operates with the **fnh200** or **fnh400** sensor heads and not with the **fnh/slave**.

#### frc/user



#### Where lighting control is ON/OFF only:

Only the **On** / **Off** buttons have any effect.

#### Where lighting control is dimmable:

Lights can be dimmed UP or DOWN using the '▲' / '▼' buttons and up to six preset lighting levels can be recalled by pressing any of the buttons 1 to 6.

#### To store a preset light level:

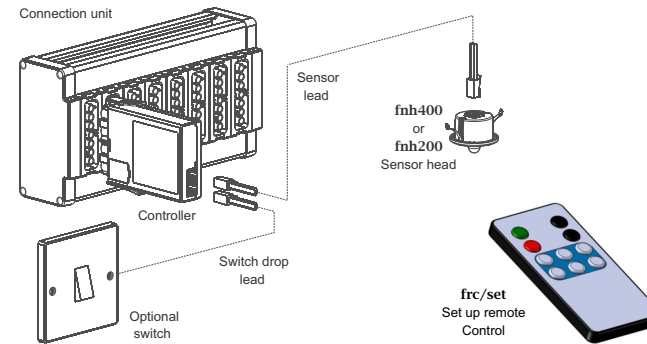
Dim the lights as required then press and hold the desired preset button until the green LED on the sensor head stops flashing (usually after 5 seconds). Then release the button and the LED will flash once more to confirm the light level has been set.

**Note:** Where the sensor includes the function to *daylight link*, it will be temporarily disabled by manual dimming or by the selecting of a preset light level with the remote control. *Daylight linking* is simply re-enabled by any 'ON' pulse from the remote control (or wall switch) or after an occupancy *time-out*.

Note that in all cases an occupancy *time-out* overrides any previous remote control commands by switching the lights 'OFF'.

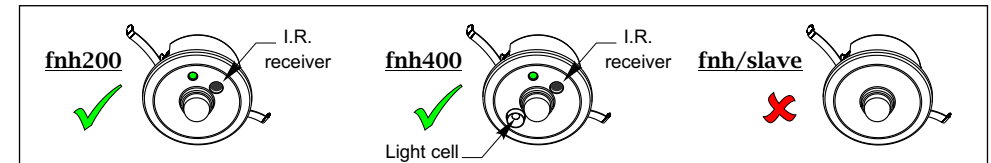
## frc/user Remote Control

U



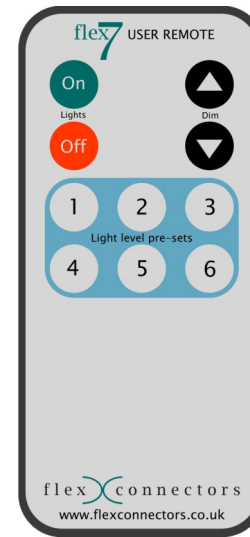
The **frc/user** remote control is a convenient method for the user to control the lighting remotely. Lights can be temporarily overridden ON or OFF and in cases where the lighting control is dimmable, dimmed UP or DOWN. In addition up to six preset light levels can be stored and recalled.

### Using the frc/user remote control



The **frc/user** only operates with the **fnh200** or **fnh400** sensor heads and not with the **fnh/slave**.

#### frc/user



#### Where lighting control is ON/OFF only:

Only the **On** / **Off** buttons have any effect.

#### Where lighting control is dimmable:

Lights can be dimmed UP or DOWN using the '▲' / '▼' buttons and up to six preset lighting levels can be recalled by pressing any of the buttons 1 to 6.

#### To store a preset light level:

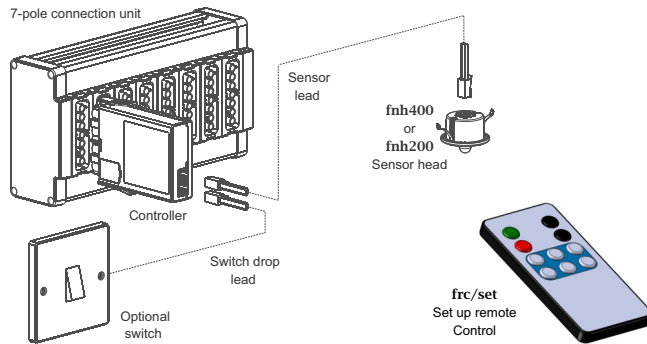
Dim the lights as required then press and hold the desired preset button until the green LED on the sensor head stops flashing (usually after 5 seconds). Then release the button and the LED will flash once more to confirm the light level has been set.

**Note:** Where the sensor includes the function to *daylight link*, it will be temporarily disabled by manual dimming or by the selecting of a preset light level with the remote control. *Daylight linking* is simply re-enabled by any 'ON' pulse from the remote control (or wall switch) or after an occupancy *time-out*.

Note that in all cases an occupancy *time-out* overrides any previous remote control commands by switching the lights 'OFF'.

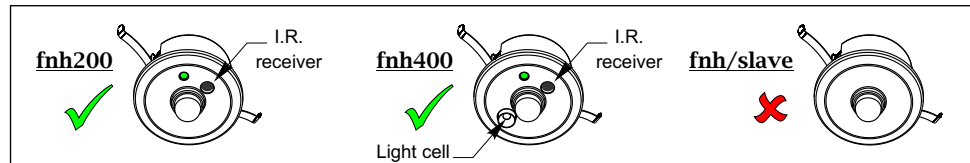
## frc/user Remote Control

U



The **frc/user** remote control is a convenient method for the user to control the lighting remotely. Lights can be temporarily overridden ON or OFF and in cases where the lighting control is dimmable, dimmed UP or DOWN. In addition up to six preset light levels can be stored and recalled.

### Using the frc/user remote control



The **frc/user** only operates with the **fnh200** or **fnh400** sensor heads and not with the **fnh/slave**.

#### frc/user



#### Where lighting control is ON/OFF only:

Only the **On** / **Off** buttons have any effect.

#### Where lighting control is dimmable:

Lights can be dimmed UP or DOWN using the '▲' / '▼' buttons and up to six preset lighting levels can be recalled by pressing any of the buttons 1 to 6.

#### To store a preset light level:

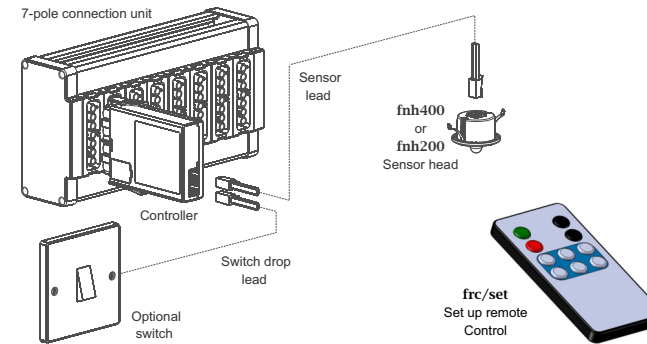
Dim the lights as required then press and hold the desired preset button until the green LED on the sensor head stops flashing (usually after 5 seconds). Then release the button and the LED will flash once more to confirm the light level has been set.

**Note:** Where the sensor includes the function to *daylight link*, it will be temporarily disabled by manual dimming or by the selecting of a preset light level with the remote control. *Daylight linking* is simply re-enabled by any 'ON' pulse from the remote control (or wall switch) or after an occupancy *time-out*.

Note that in all cases an occupancy *time-out* overrides any previous remote control commands by switching the lights 'OFF'.

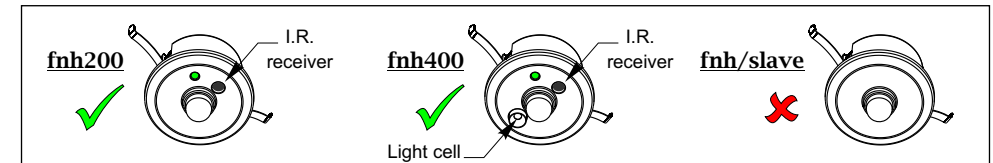
## frc/user Remote Control

U



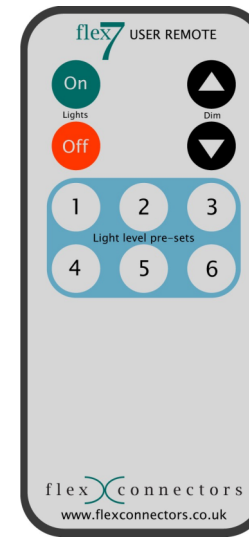
The **frc/user** remote control is a convenient method for the user to control the lighting remotely. Lights can be temporarily overridden ON or OFF and in cases where the lighting control is dimmable, dimmed UP or DOWN. In addition up to six preset light levels can be stored and recalled.

### Using the frc/user remote control



The **frc/user** only operates with the **fnh200** or **fnh400** sensor heads and not with the **fnh/slave**.

#### frc/user



#### Where lighting control is ON/OFF only:

Only the **On** / **Off** buttons have any effect.

#### Where lighting control is dimmable:

Lights can be dimmed UP or DOWN using the '▲' / '▼' buttons and up to six preset lighting levels can be recalled by pressing any of the buttons 1 to 6.

#### To store a preset light level:

Dim the lights as required then press and hold the desired preset button until the green LED on the sensor head stops flashing (usually after 5 seconds). Then release the button and the LED will flash once more to confirm the light level has been set.

**Note:** Where the sensor includes the function to *daylight link*, it will be temporarily disabled by manual dimming or by the selecting of a preset light level with the remote control. *Daylight linking* is simply re-enabled by any 'ON' pulse from the remote control (or wall switch) or after an occupancy *time-out*.

Note that in all cases an occupancy *time-out* overrides any previous remote control commands by switching the lights 'OFF'.