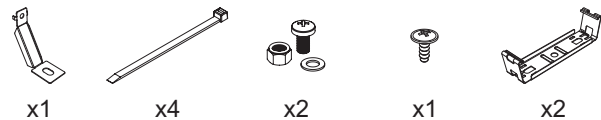
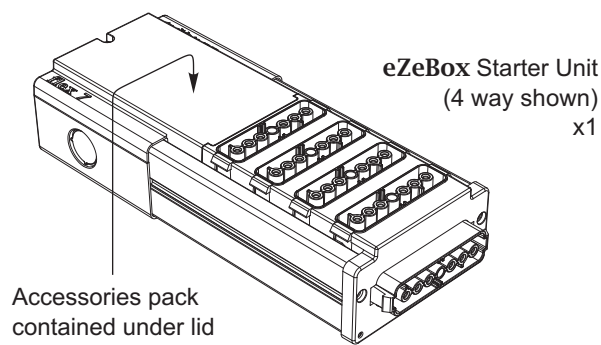


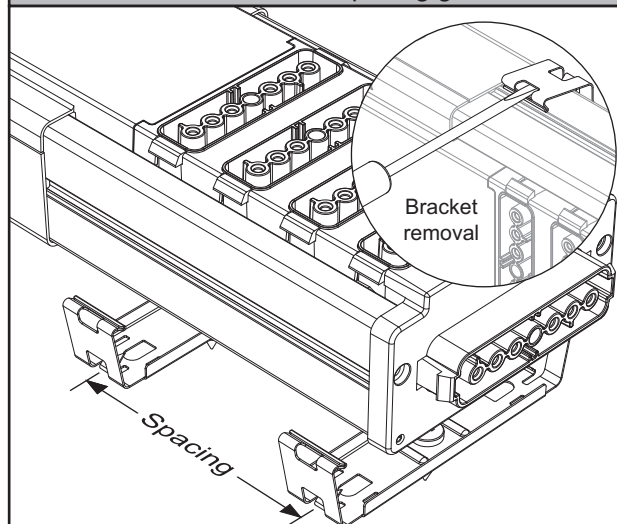
Installing an eZeBox Starter Unit

Supplied Parts



Current & Voltage rating : 16A, 230V AC
Knock-outs : 20mm (x4) & 25mm (x1)

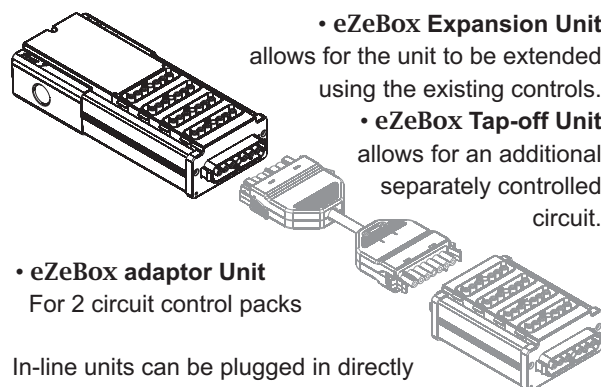
Table 1: bracket spacing guide



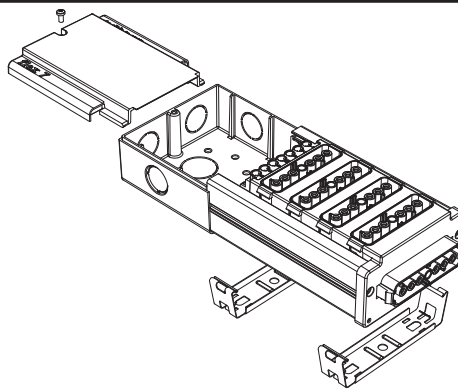
Outlets	Spacing /mm
2 way	45 ± 5
4 way	90 ± 10
6 way	140 ± 10
8 way	190 ± 10
10 way	240 ± 10
12 way	290 ± 10

Optional Extras

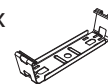
If the end socket is reserved the eZeBox Starter Unit can be expanded at any time. By connecting an:



Fixing to solid surface

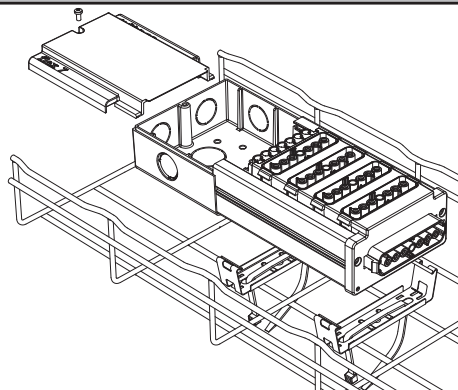


2x

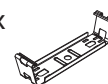


- At the appropriate spacings (see Table 1) secure each bracket to the surface with a single screw (not supplied).
- Prior to snapping-in the eZeBox unit, remove appropriate knock-outs for cable/conduit entry.
- Clip the eZeBox unit securely into the fixing brackets.

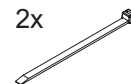
Fixing to cable tray / wire basket



2x

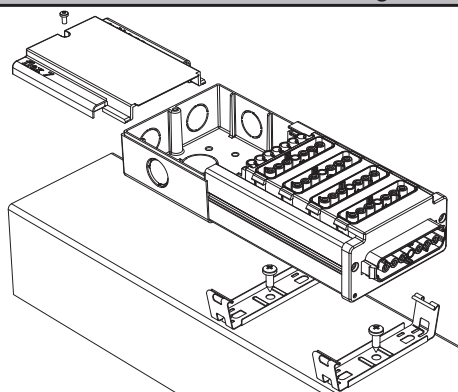


2x

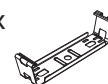


- At the appropriate spacings (see Table 1) secure each bracket using tie wraps.
- Prior to snapping-in the eZeBox unit, remove appropriate knock-outs for cable/conduit entry.
- Clip the eZeBox unit securely into the fixing brackets.

Fixing to trunking



2x

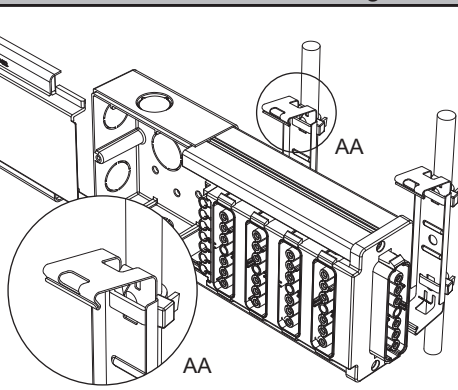


2x

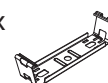


- At the appropriate spacings (see Table 1) secure each bracket using fixings supplied.
- Prior to snapping-in the eZeBox unit, remove appropriate knock-outs for the cable/conduit entry.
- Clip the eZeBox unit securely into the fixing brackets.

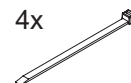
Fixing to drop rods



2x

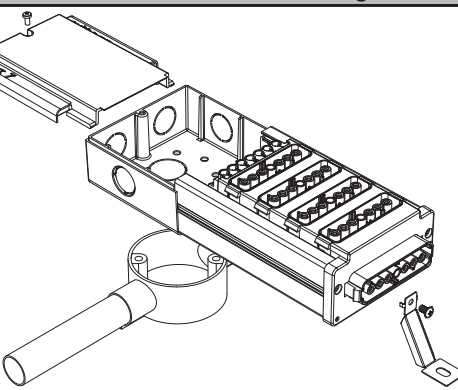


4x



- Ensure drop rods are pitched at the appropriate spacings (see Table 1) and secure each bracket to a drop rod using two tie wraps for each drop rod.
- Prior to snapping-in the eZeBox unit, remove the appropriate knock-outs for cable/conduit entry.
- Clip the eZeBox unit securely into the fixing brackets.

Fixing to conduit box



1x



1x



- Remove knock-out on base of wiring box for cable entry.
- Locate and secure the eZeBox unit onto the conduit box, break through the appropriate holes for the screw, (not supplied).
- Anchor other end of the eZeBox unit, by bending and fixing the support bracket.

Wiring Options for the eZeBox Dual Control Starter Units

<p>eZeBox wiring diagram</p>	<p>With local emergency test where non-emergency fittings can remain ON during an emergency test.</p>	<p>With local emergency test where non-emergency fittings will switch OFF during an emergency test.</p>	<p>Where there is no emergency circuit or the emergency test is remote.</p>
<p>Hard-Wired with third party lighting control device.</p>			
<p>Using a flex 7 plug-in lighting control device.</p> <p>Compatible Controllers: Dimming fnc3000 fns3000 fnc3000/- fns3400 fnc4000 fns3400/- fnc4000/- Non-dimming fnc1000 fns1000 fnc1000/- fns1200 fnc2000 fns1400 fnc2000/- fns1200/- fnc100 fns1400/-</p>			
<p>Using a flex 7 plug-in lighting control device with integrated emergency test.</p> <p>Compatible Controllers: Dimming fnc4000/E fnc4000/-/E Non-dimming fnc2000/E fnc2000/-/E</p>			

Warning: 230V AC

This product should be installed and maintained in accordance with: BS 7671:2008 Requirements for Electrical Installations (IEE Wiring Regulations 17th Edition.)

Adding an Expansion Unit

Additional Expansion Units will utilise 'Control B' when plugged into the spare outlet.



flex Connectors Limited, Unit 8 The Gate Centre, Syon Gate Way, Brentford, Middlesex TW8 9DD, UK
Telephone: +44 (0) 20 8580 1066
Fax: +44 (0) 20 8580 1062
Website: www.flexconnectors.co.uk
Email: info@flexconnectors.co.uk



eZeBox connection units have been designed and extensively tested for use with the flex 7 control range of sensors. Flex Connectors cannot guarantee compatibility with third party sensor products and cannot be held responsible for any deviance from expected performance that may arise as a result. Flex Connectors are happy to provide support where possible to ensure compatibility and compliance with British Standards. * **Caution:** Wiring shown for third party control is indicative only. Refer to third party information.