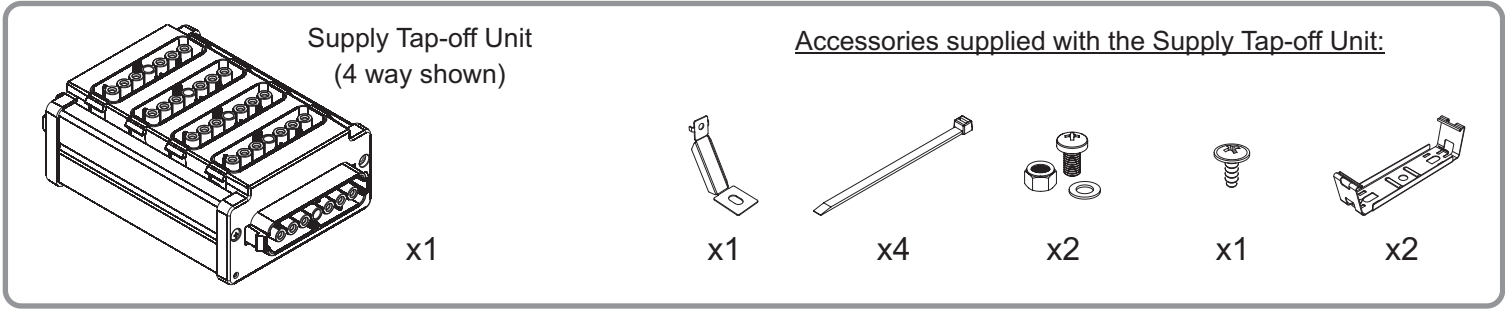
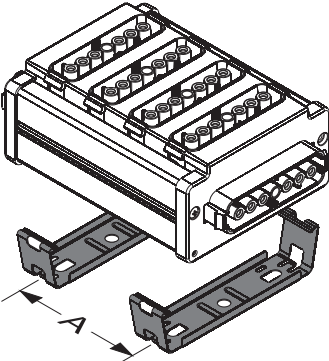
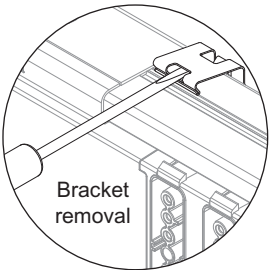
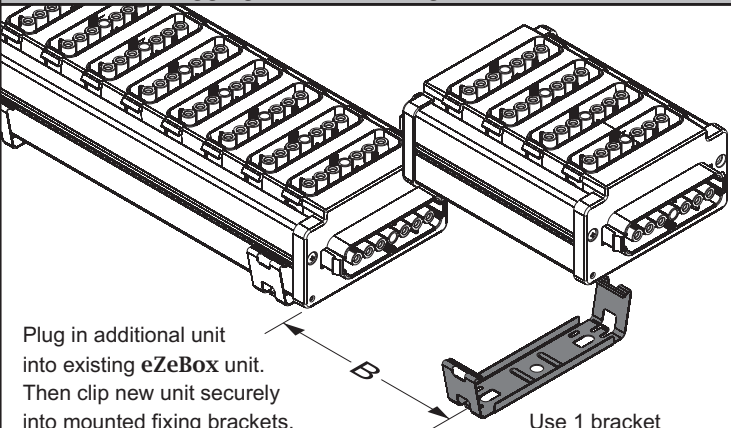


eZeBox Supply Tap Off Unit (ftu--)

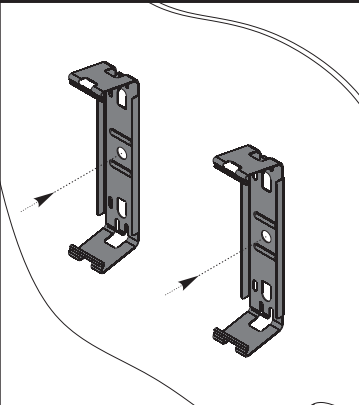


Bracket Spacing Guide

Bracket spacing guide for 'Stand Alone' units		Plugging into an existing eZeBox unit	
			
Use 2 brackets	Bracket removal	Plug in additional unit into existing eZeBox unit. Then clip new unit securely into mounted fixing brackets.	Use 1 bracket
Outlets	Length A /mm	Outlets	Length B /mm
2 way	25 ± 2	2 way	50 ± 5
4 way	65 ± 5	4 way	100 ± 5
6 way	115 ± 5	6 way	145 ± 10
8 way	160 ± 10	8 way	195 ± 10
10 way	210 ± 10	10 way	245 ± 10
12 way	260 ± 10	12 way	295 ± 10

Fixing Options

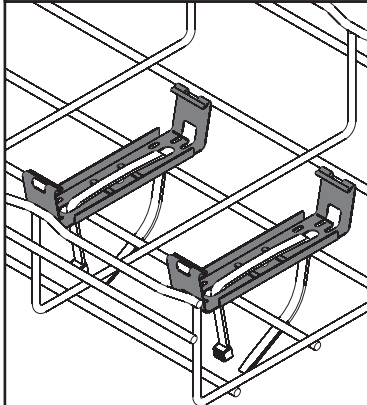
Fixing to solid surface



- At the appropriate spacings (see Bracket Spacing Guide) secure each bracket to the surface with a single screw * (not supplied).
- Then clip the eZeBox unit securely into the mounted fixing brackets.

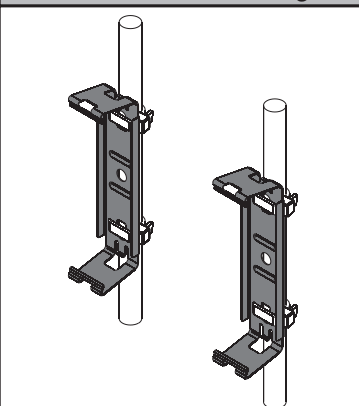
* Ideal for nail gun and traditional woodscrew / wall plug fixing.

Fixing to cable tray / wire basket



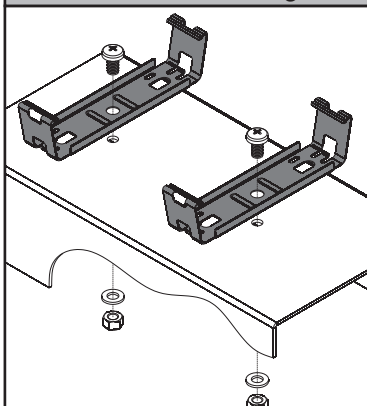
- At the appropriate spacings (see Bracket Spacing Guide) secure each bracket to the cable tray using tie wraps provided.
- Then clip the eZeBox unit securely into the mounted fixing brackets.

Fixing onto drop rods



- Ensure drop rods are pitched apart at the appropriate spacings (see Bracket Spacing Guide).
- Secure each fixing bracket to a drop rod using two tie wraps provided for each drop rod.
- Then clip the eZeBox unit securely into the mounted fixing brackets.

Fixing to trunking mount

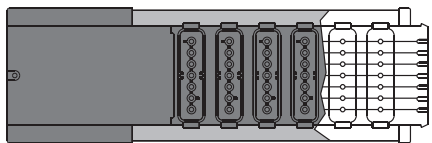


- At the appropriate spacings (see Bracket Spacing Guide) secure each bracket to the trunking using the nut, bolt and washer fixings supplied.
- Then clip the eZeBox unit securely into the mounted fixing brackets.

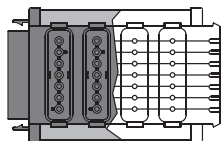
Tap-off Unit

The eZeBox Tap-off Unit is a convenient method for extending the supply from any existing unit whilst allowing the additional lighting to be independently controlled. The connected luminaires on the new Tap-off Unit can only be controlled by a suitable plug-in control device*. Tap-off Units plug in either direct unit-to-unit, or if required to be remote i.e. to another room or area, via a suitable Supply Tap-off Lead.

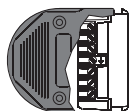
Starter Unit
fsu---



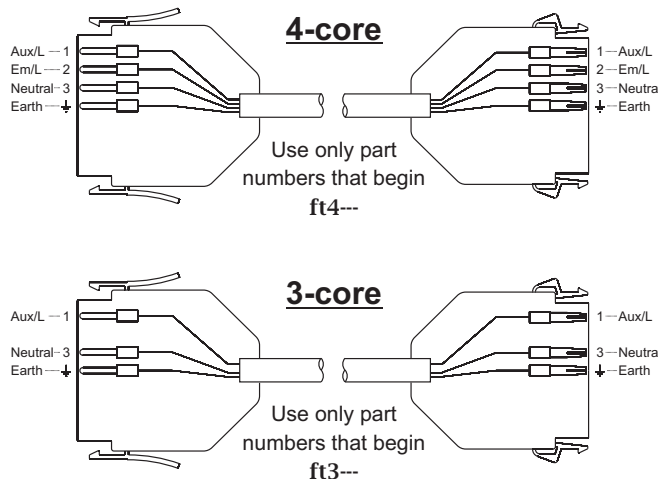
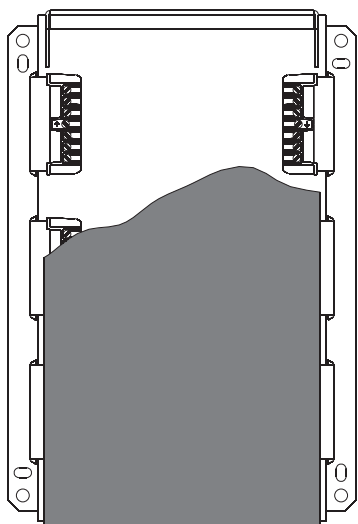
Expansion Unit
fxu---
Tap-off Unit
ftu---



Single Socket
fts--



Hub Unit
fhu06



Plug-in direct unit-to-unit:

Tap-off Unit will require a plug-in control device*

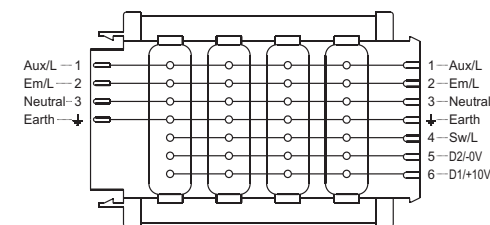
Plug-in via a 4-core Supply Tap-off Lead

Tap-off Unit will require a plug-in control device*

Plug-in via a 3-core Supply Tap-off Lead

The emergency supply is broken, therefore the plug-in control device* must be of a type that incorporates an emergency test facility.

Tap-off Unit, ftu--



* flex7 plug-in control devices plug into any spare outlet to provide the lighting control for that unit. Plug-in control devices fall into two broad categories:



Sensors and PELV switch devices
(part numbers that begin with fns--- or fnc---)



Mains Switch drop leads
(part numbers that begin with fw---)



Flex Connectors Limited, Unit 8 The Gate Centre,
Syon Gate Way, Brentford, Middlesex TW8 9DD, UK
Telephone: +44 (0) 20 8580 1066
Fax: +44 (0) 20 8580 1062
Website: www.flexconnectors.co.uk
Email: info@flexconnectors.co.uk

